

Marine and Offshore

Deck covering and sound reduction systems

marlon-marine.com



A solid solution

This is us

Marlon Marine is a wholly-owned subsidiary of Marlon Tørmørtel, which was founded back in 1975.

Over the years, our production has grown so much that today we are a very strong supplier with one of Europe's most modern factories, which is constantly being expanded.

In 2012 we started producing and delivering products to the maritime industry for private labels, but in 2019 we decided to produce marine products under our own brand name, which allows us to produce fairly large quantities in a very high quality, directly to our customers World Wide on very short notice.

Our ideas at Marlon Tørmørtel are based on an increasing need for high-quality standard and customised cement products.

For us, it is about providing the customer and the contractor with the right solution, both in terms of quality and price.





This is what we do

Our products and systems are designed to meet the highest standards and requirements of the maritime industry, and all products have been tested by reputable test institutes.

At Marlon Marine, we are constantly trying to keep up with developments in the industry and therefore we are constantly working on new products/systems that benefit the maritime industry.

All raw materials that are part of our production are of very high quality. That way we can ensure that all our products meet the very strict quality requirements we have set as a target for ourselves.

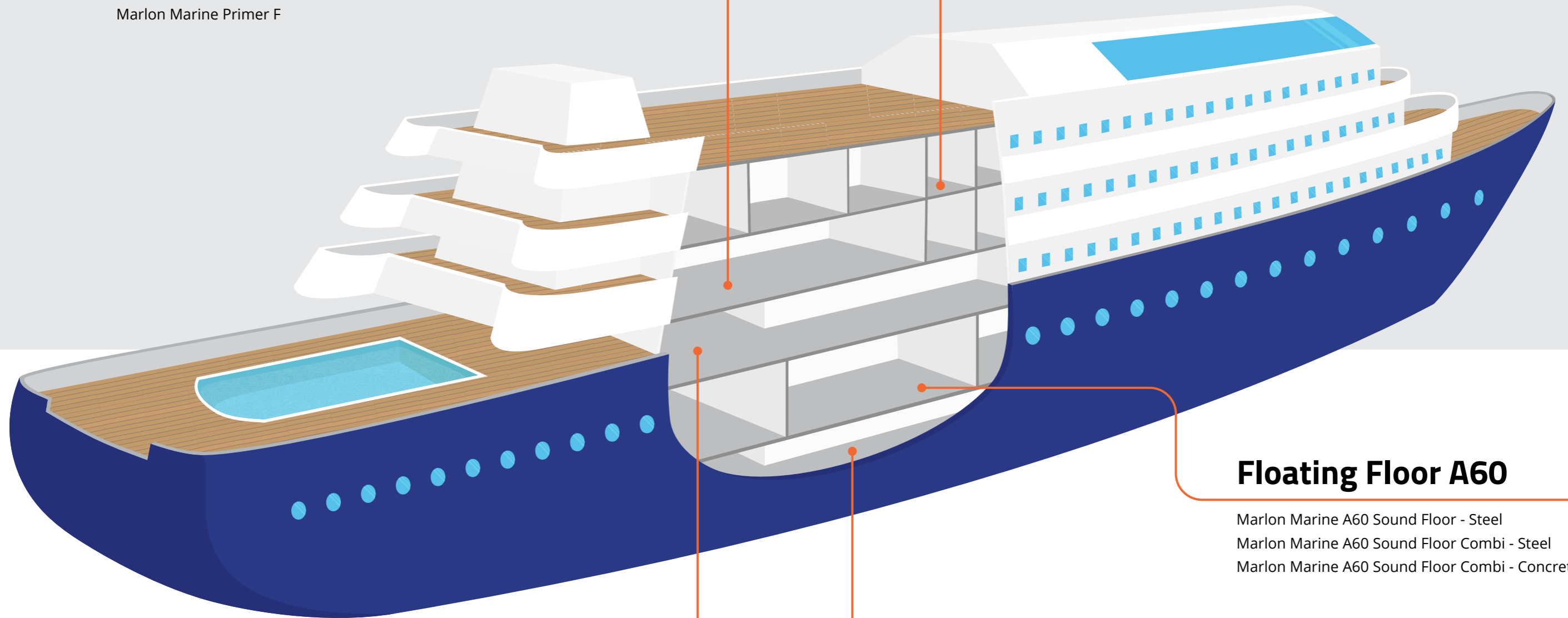


Self-leveling

Marlon Marine 900 SL
Marlon Marine 1600 SL
Marlon Marine 1800 SL
Marlon Marine Primer F

Membrane

Marlon Marine Elastic 1000 Membrane
Marlon Marine Mortar
Marlon Marine Primer F



Screed

Marlon Marine Mortar 900 SC
Marlon Marine Mortar 1600 SC
Marlon Marine 2000 SC Rapid
Marlon Marine Primer F

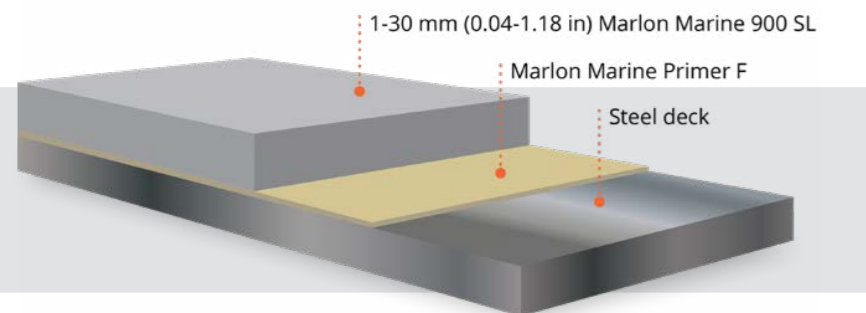
Floating Floor A60

Marlon Marine A60 Sound Floor - Steel
Marlon Marine A60 Sound Floor Combi - Steel
Marlon Marine A60 Sound Floor Combi - Concrete

Sound Damping

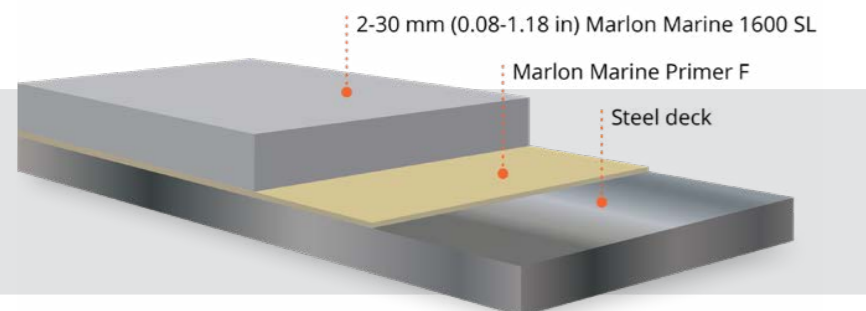
Marlon Marine VE 1400 - Concrete
Marlon Marine VE 1400 - Steel
Marlon Marine VE 1600 - Steel

Self-leveling



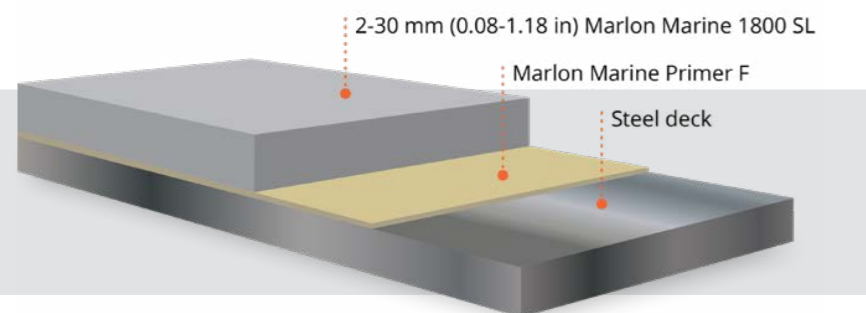
Marlon Marine 900 SL

Light weight polymer-modified cement-based self-levelling, pumpable and fine smoothing compound for steel, galvanized steel and aluminium decks.



Marlon Marine 1600 SL

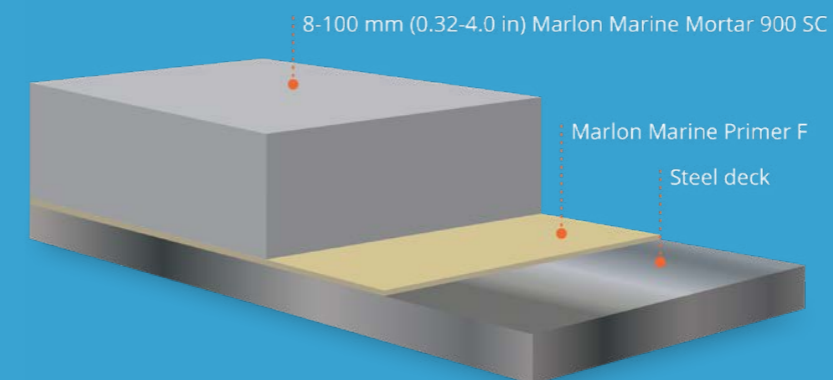
Polymer-modified flexible cement-based self-levelling, pumpable and fine smoothing compound for steel, galvanized steel and aluminium decks.



Marlon Marine 1800 SL

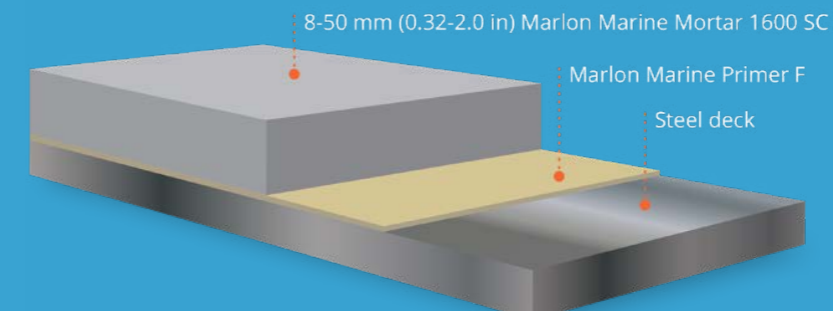
Polymer-modified cement-based self-levelling, pumpable and fine smoothing compound for steel, galvanized steel and aluminium decks.

Screed



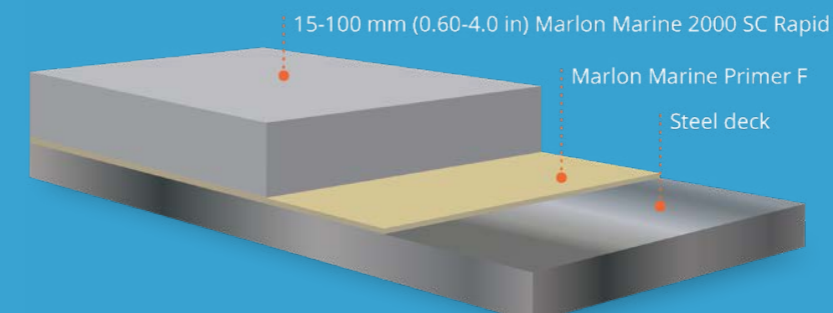
Marlon Marine Mortar 900 SC

Lightweight cement-based, plastic-reinforced lightweight screed compound for levelling of all types of subfloor, including slopes for showers, galleys etc. To be used in wet areas in combination with Marine Elastic 1000 Membrane.



Marlon Marine Mortar 1600 SC

Water-resistant cement-based, plastic-reinforced screed compound for levelling all types of subfloor, including slopes for showers, galleys etc. To be used in wet areas in combination with Marine Elastic 1000 Membrane.



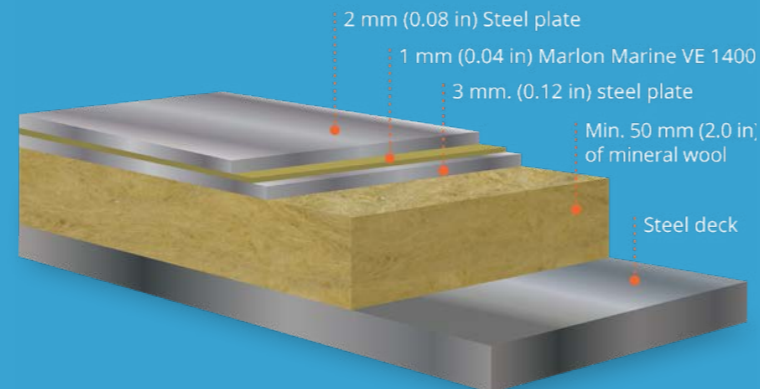
Marlon Marine 2000 SC Rapid

Rapid-setting cement-based, plastic-reinforced screed compound for levelling all types of subfloor, incl. slopes for showers, galleys etc. To be used in wet areas in combination with Marine Elastic 1000 Membrane.

Floating Floor A60

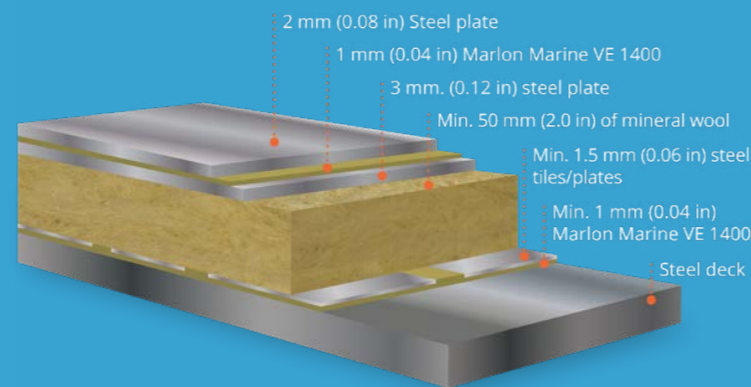
Marlon Marine A60 Sound Floor - Steel

This system gives a very high sound reduction of both airborne and impact noise, as well as very good damping of vibrations and a very high loss factor over a wide temperature and frequency range, which provides a high degree of comfort on board the vessel.



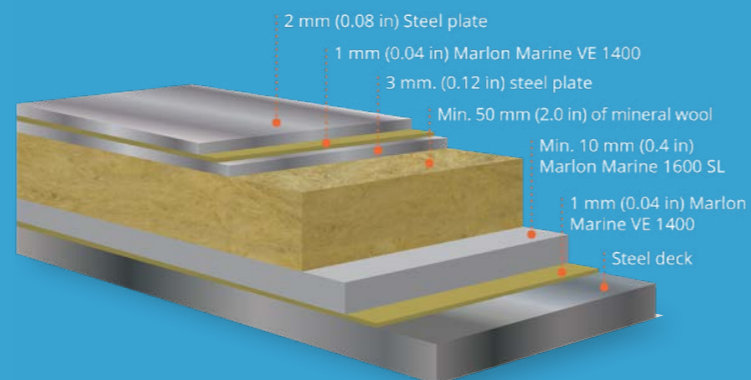
Marlon Marine A60 Sound Floor Combi - Steel

Marlon Marine VE 1400 Steel system, in combination with the floating floor system, allows a very low building height and gives a very high sound reduction of both airborne, structure-borne and impact noise, as well as very good damping of vibrations and a very high loss factor over a wide temperature and frequency range, which provides a high degree of comfort on board the vessel.



Marlon Marine Sound Floor Combi - Concrete

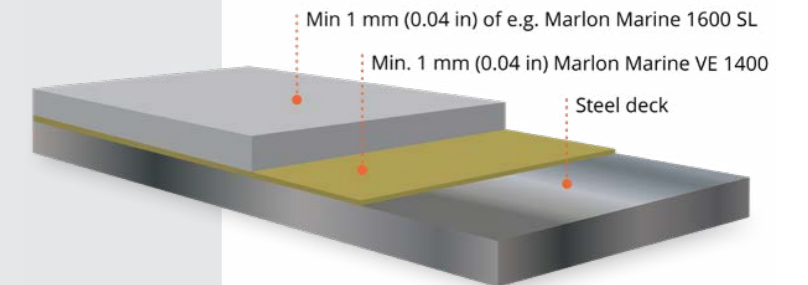
Marlon Marine VE 1400 Concrete system, in combination with the floating floor system, gives a very high sound reduction of both airborne, structure-borne and impact noise, as well as very good damping of vibrations and a very high loss factor over a wide temperature and frequency range, which provides a high degree of comfort on board the vessel.



Sound Damping

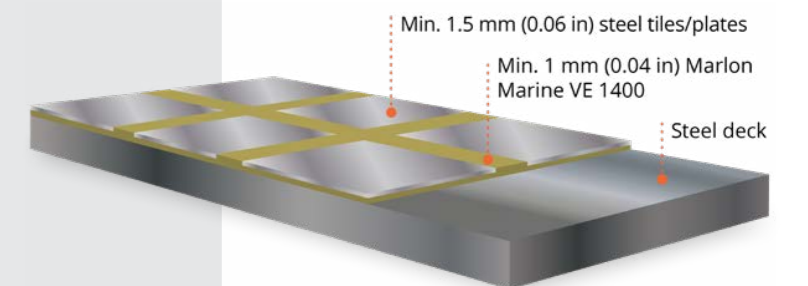
Marlon Marine VE 1400 - Concrete

Sound-damping viscoelastic system to be built up with a constrained layer of, e.g. Marlon Marine 1600 SL. This system gives an excellent noise and vibration damping of propellers, pumps, generators and similar sources.



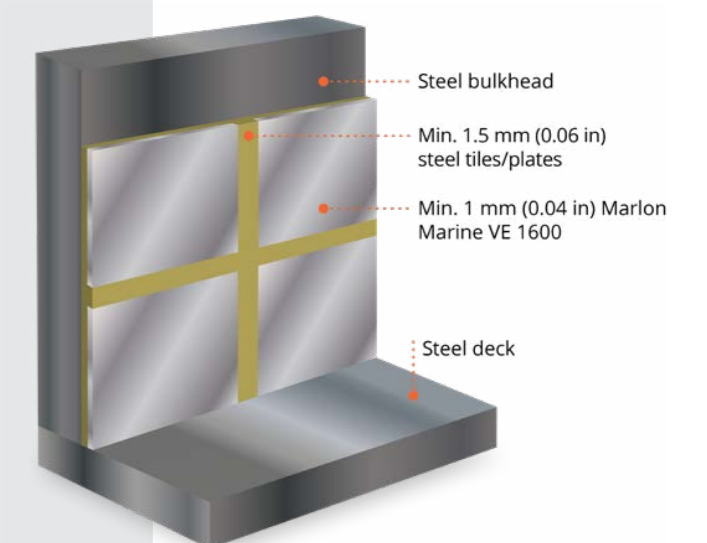
Marlon Marine VE 1400 - Steel

Sound-damping viscoelastic system to be built up with a constrained layer of steel tiles or steel plates. This system gives an excellent noise and vibration damping of propellers, pumps, generators and similar sources with a very low building height.

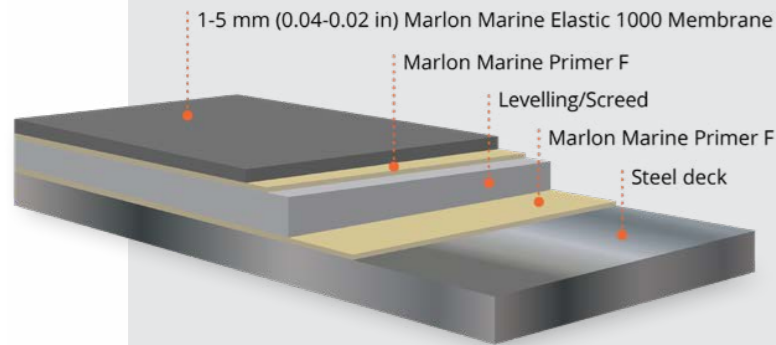


Marlon Marine VE 1600 - Steel

Sound-damping viscoelastic system to be built up with a constrained layer of steel tiles. This system gives excellent noise and vibration damping of noise propellers, pumps, generators and similar sources. This system allows steel tile to be applied vertically without any mechanical fastening and with a very low building height.



Membrane & Primer



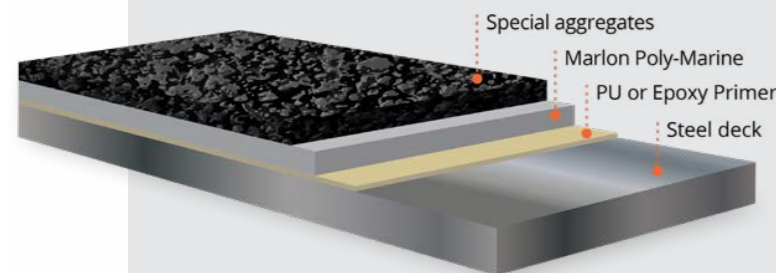
Marlon Marine Elastic 1000 Membrane

Extremely flexible one-component plastic reinforced, cement-based membrane to be applied on porous and hard surfaces as a waterproofing membrane in wet areas such as galleys, toilets etc. before final floor covering with, e.g. tiles.

Marlon Marine Primer F

Water-based adhesion primer for Marlon Marine cement-based products. To be used for priming of various kinds of metal, and between concrete layers.

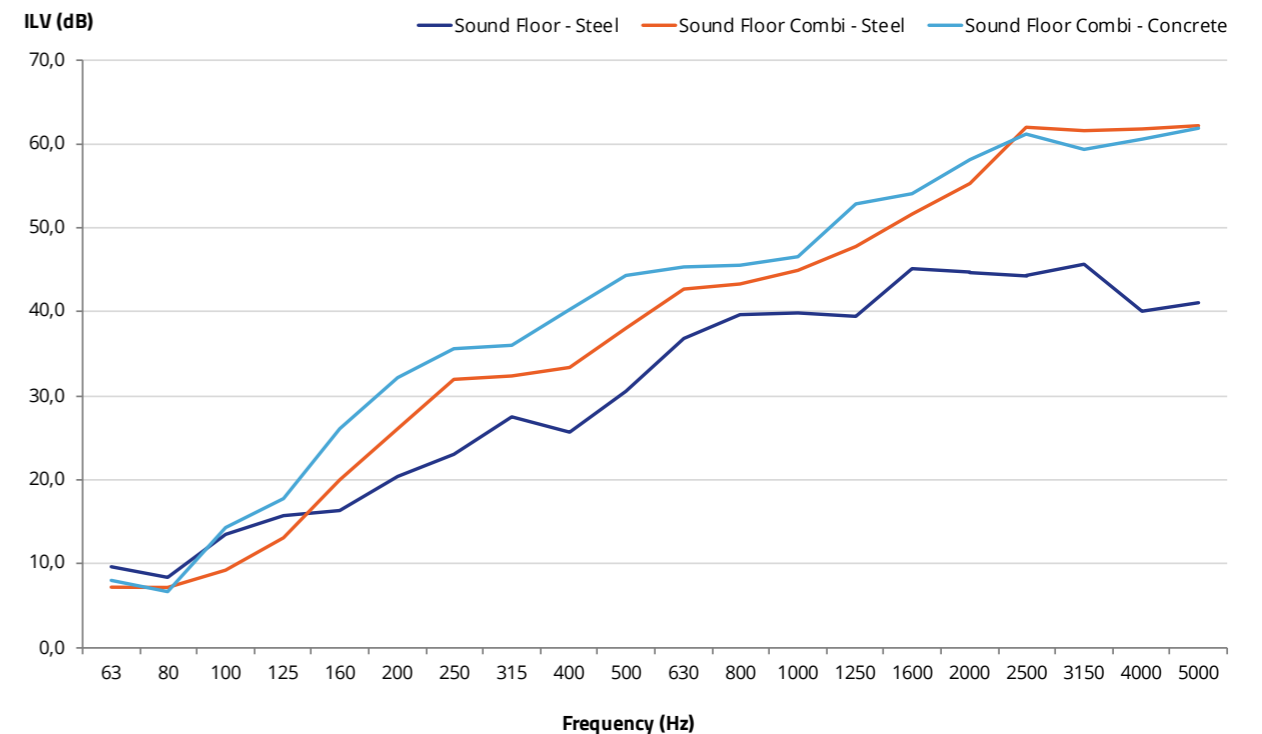
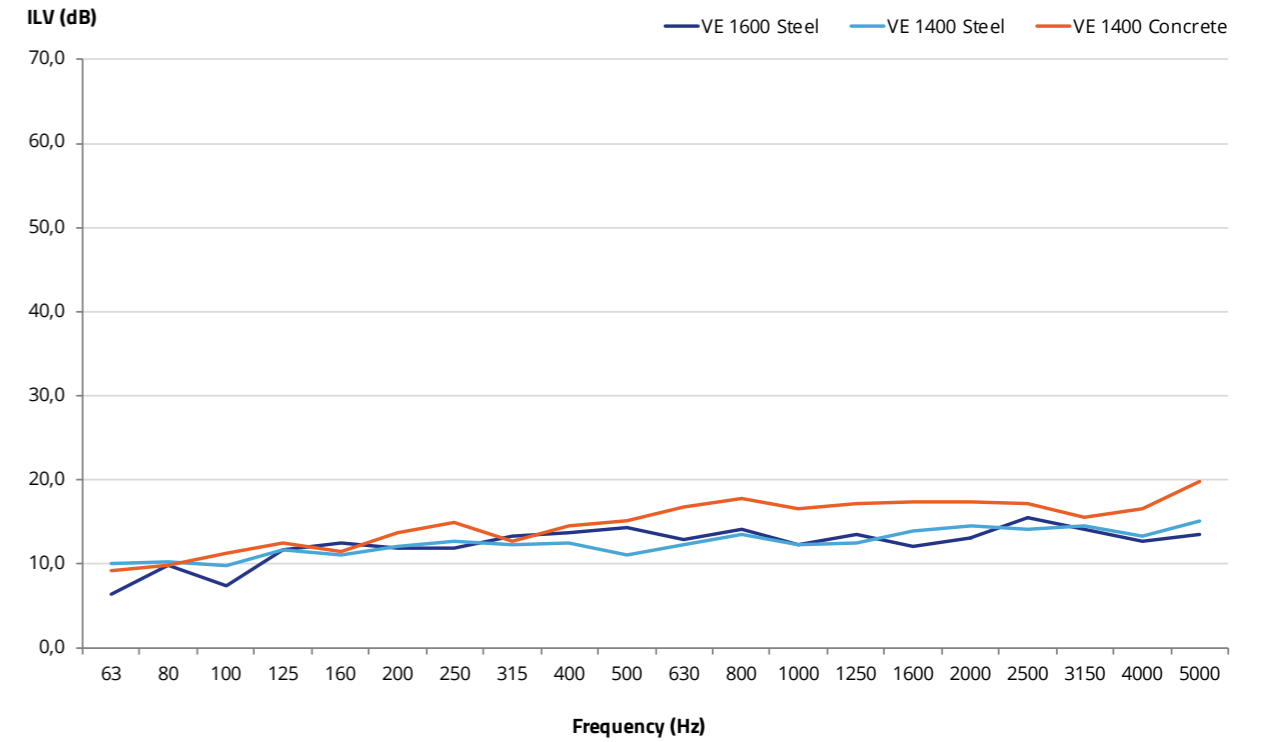
Anti-Skid System



Marlon Poly-Marine

Durable and low-weight slip-resistant, spark-free coating. Marlon Poly-Marine is designed for steel, concrete, wood and aluminium and is ideal for bridges, Ro/Ro ramps, ferry ramps, helidecks, platforms, gangways, etc.

Sound tests



Marlon Marine Products

Products	Layer thickness	Self-levelling	Screed	Primary deck covering	A-60	US Coast Guard	Sound damping
Marine 900 SL	1-30 mm	✓		✓		✓	
Marine 1600 SL	2-30 mm	✓		✓		✓	
Marine 1800 SL	2-30 mm	✓		✓		✓	
Marine 900 SC	10-100 mm		✓	✓		✓	
Marine 1600 SC	8-50 mm		✓	✓		✓	
Marine 2000 SC Rapid	15-100 mm		✓	✓		✓	
Marine Elastic 1000 Membrane	1-5 mm		✓	✓		✓	

Systems	Layer thickness	Self-levelling	Screed	Primary deck covering	A-60	US Coast Guard	Sound damping
VE 1400 Steel System	2,5-4 mm			✓		✓	✓
VE 1400 Concrete System	11-42 mm			✓		✓	✓
VE 1600 Steel System	2,5-4 mm			✓		✓	✓
Sound Floor - Steel	min. 56 mm			✓		✓	✓
Sound Floor Combi - Steel	min. 67 mm			✓		✓	✓
Sound Floor Combi - Concrete	min. 58.5 mm			✓		✓	✓
Poly-Marine Anti-Skid	2-7 mm			✓		✓	

Certification

All products/systems from Marlon Marine have been tested according to IMO 2010 FTP Code and certified as primary deck covering, and floating floor systems have all been certified as A-60 by DNV, USCG and RMRS.



- Marine 900 SL**
- Self-levelling compound
 - Layer thickness 1-30 mm (0.04-1.18 in)
 - Density 0.9 kg/m²/mm
 - 18 kg (39.62 lb) bags and 700 kg big bags (1543.36 lb)



- Marine Mortar 900 SC**
- Screed
 - Layer thickness 8-100 mm (0.32-4.0 in)
 - Density 0.9 kg/m²/mm
 - 48 kg (105.82 lb) 2-component (Marine Mortar and Marine light filler) set



- Marine 1600 SL**
- Self-levelling compound
 - Layer thickness 2-30 mm (0.08-1.18 in)
 - Density 1.6 kg/m²/mm
 - 25 kg bags (55.12 lb) and 1,200 kg big bags (2645.76 lb)



- Marine Mortar 1600 SC**
- Screed
 - Layer thickness 8-50 mm (0.32-2.0 in)
 - Density 1.6 kg/m²/mm
 - 25 kg bags (55.12 lb)



- Marine 1800 SL**
- Self-levelling compound
 - Layer thickness 2-30 mm (0.08-1.18 in)
 - Density 1.8 kg/m²/mm
 - 25 kg bags (55.12 lb) and 1,200 kg big bags (2645.76 lb)



- Marine 2000 SC Rapid**
- Screed
 - Layer thickness 10-100 mm
 - Density 2.0 kg/m²/mm
 - 25 kg bags (55.12 lb)



- Marine VE 1400**
- Viscoelastic damping compound
 - For all kind of systems
 - Density 1.35 kg/m²/mm
 - 13.5 kg (29.76 lb) set



- Marine Elastic 1000 Membrane**
- Waterproofing membrane
 - Layer thickness 1-5 mm (0.04-0.2 in)
 - Density 1.0 kg/m²/mm
 - 20 kg bags (44.1 lb)



- Marine VE 1600**
- Viscoelastic damping compound
 - For bulkhead
 - Density 1.6 kg/m²/mm
 - 9 kg (19.84 lb) set



- Poly-Marine**
- Anti-skid system
 - Excellent adhesion to various substrates
 - Open for traffic after 3-4 hours (+20°C/68°F)
 - 20 kg (44.09 lb) set



- Marine Primer F**
- Water-based adhesion primer
 - 10 L can (338 oz)



Marlon around the world

As a strong and reliable supplier and partner based in Brødstrup, Denmark, we manufacture our products at a state-of-the-art, high-capacity production facility, which enables us to produce large volumes and deliver our products and services worldwide on very short notice.